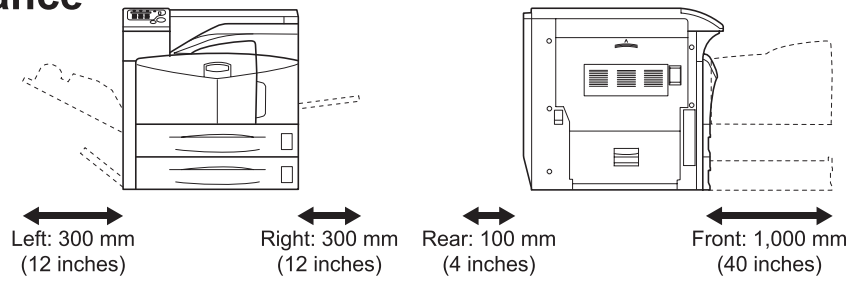


Clearance



Note

Environment

Temperature: 10 to 32.5°C (50 to 90.5°F)
Humidity: 15 to 80%RH

! WARNING

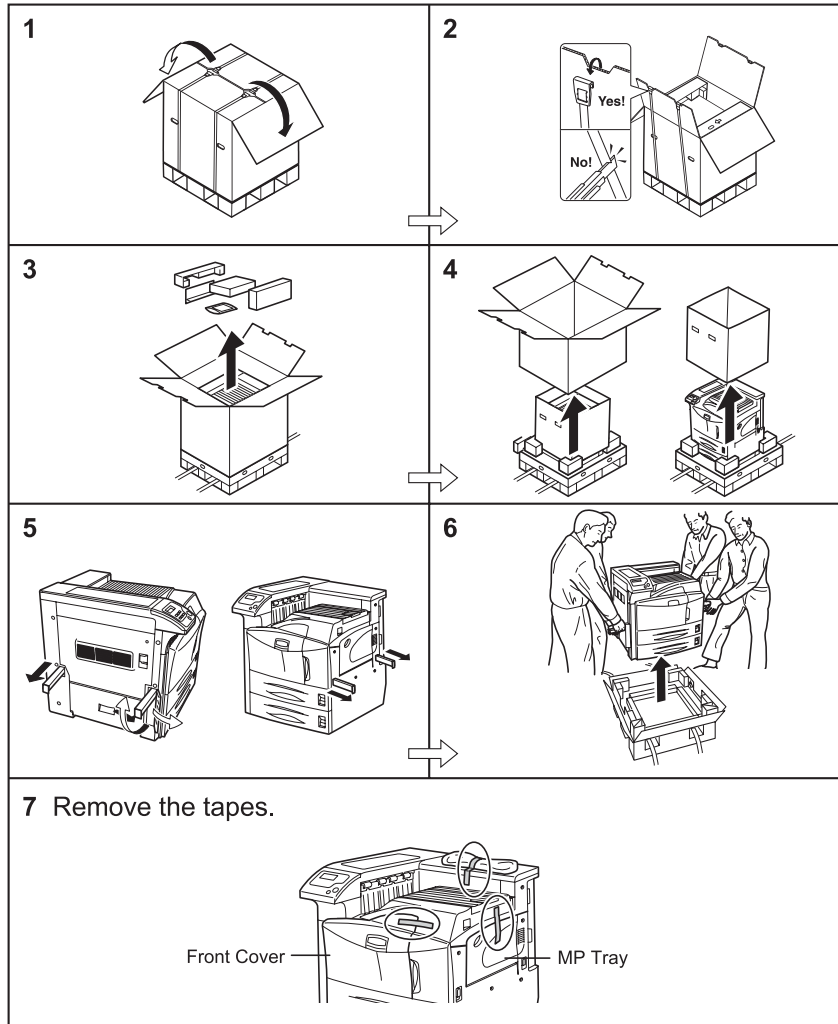
Be sure to provide enough space around the printer. Prolonged use without sufficient clearance may cause heat to build up inside the printer, resulting in fire.

1. Checking Shipped Components

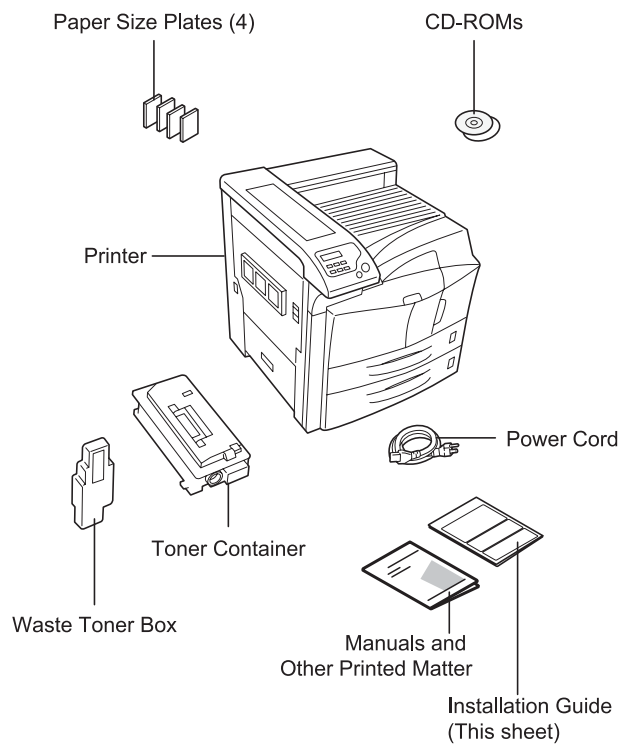
Note

When lifting or moving the printer, pull up the 4 handles on both sides of the printer, then ALWAYS carry the printer with at least 4 people, and another person to coordinate.

1 Unpacking

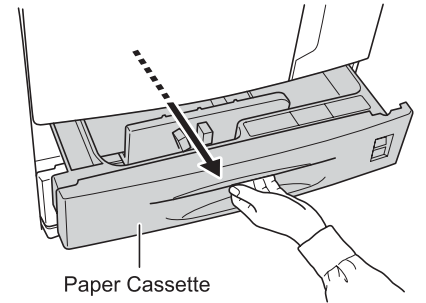


2 Shipped components

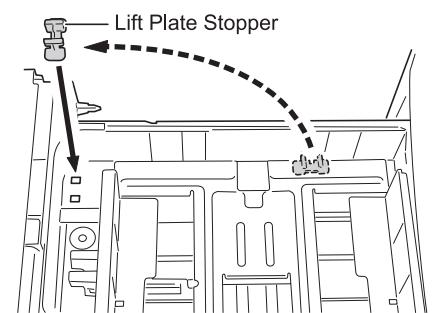


2. Removing the lift plate stoppers

1 Pull the paper cassette out.

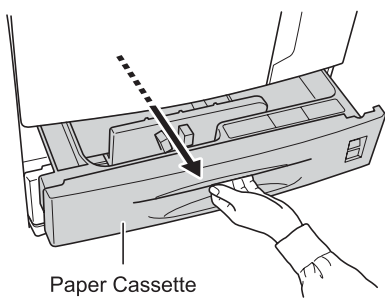


2 Remove the lift plate stopper and attach it to the storage location.

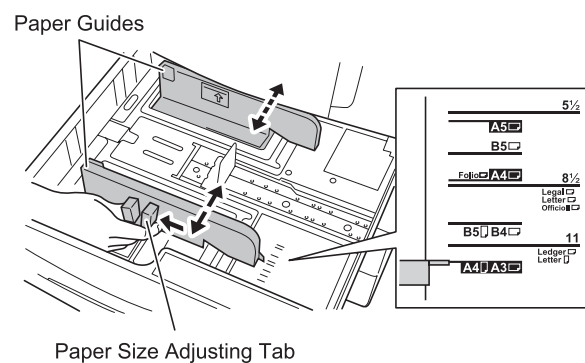


3. Loading Paper in the Paper Cassettes

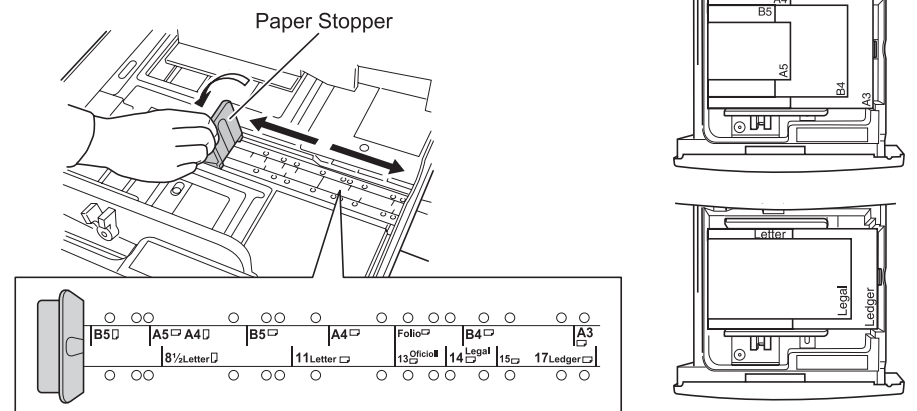
1 Pull the paper cassette out.



2 Adjust the paper guides to fit the paper size.

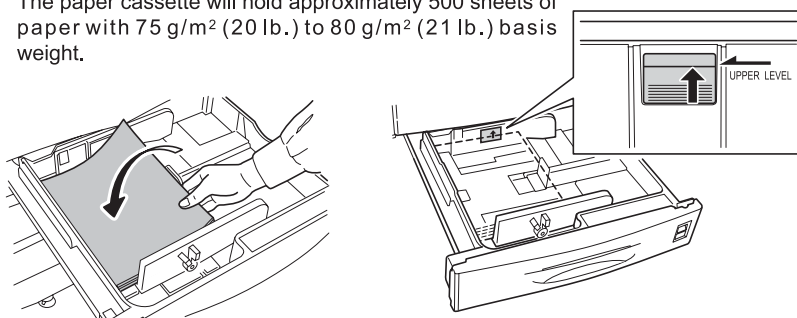


3 Adjust the paper stopper to fit the paper size.

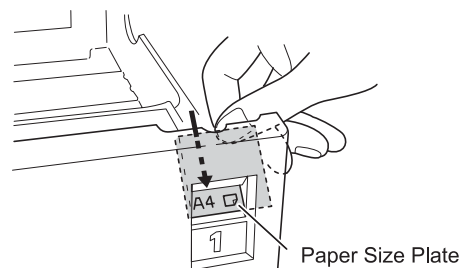


4 Load paper.

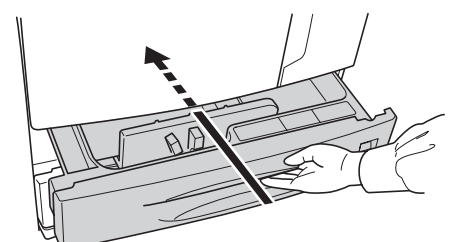
The paper cassette will hold approximately 500 sheets of paper with 75 g/m² (20 lb.) to 80 g/m² (21 lb.) basis weight.



5 Set the supplied paper size plate at the front of the paper cassette.



6 Push the paper cassette back until it stops.

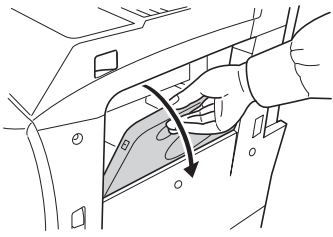


Note

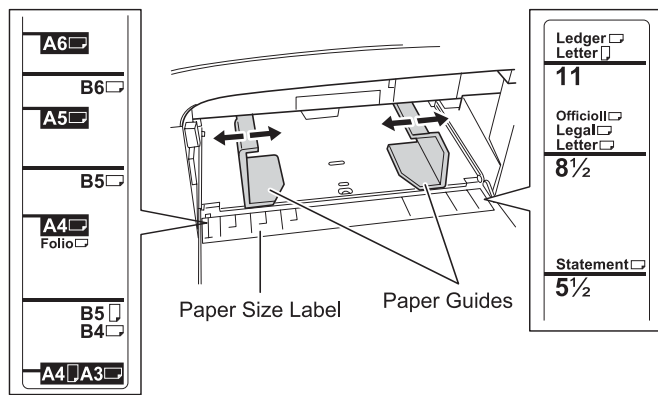
For details on paper usable with this machine, refer to the Operation Guide.

4. Loading Paper in the MP Tray

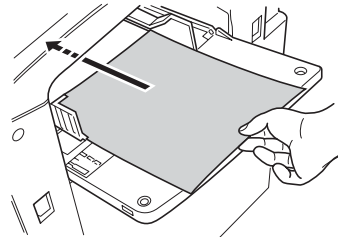
- 1** Open the MP tray on the right side of the printer.



- 2** Adjust the paper guides on the MP tray.

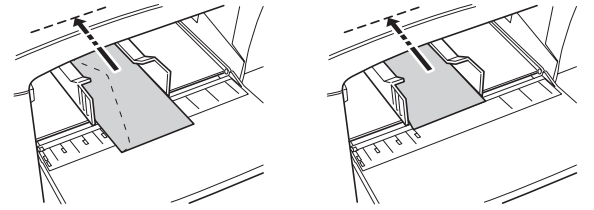


- 3** Load paper.



Envelope and Postcard

Position the envelope and postcard against the insert guides with the print side facing upward, and insert it as far as it will go.

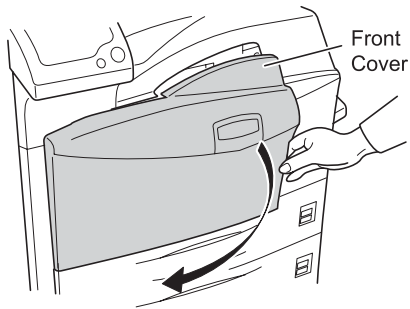


Note

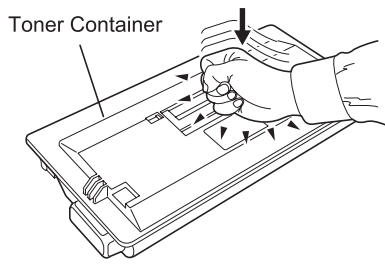
Do not print on envelopes with flap adhesive exposed. This can cause printer malfunction.

5. Installing the Toner Container and Waste Toner Box

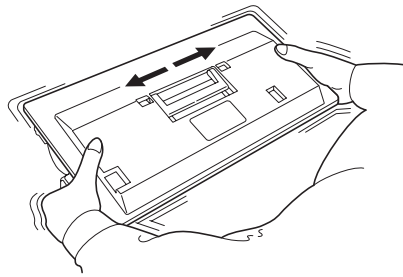
- 1** Open the front cover.



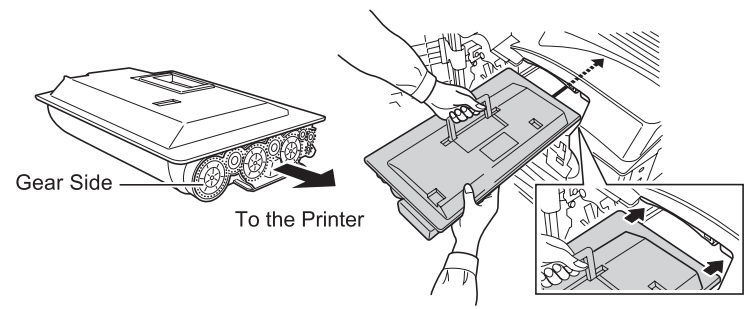
- 2** Lightly tap the top of the toner container five to six times.



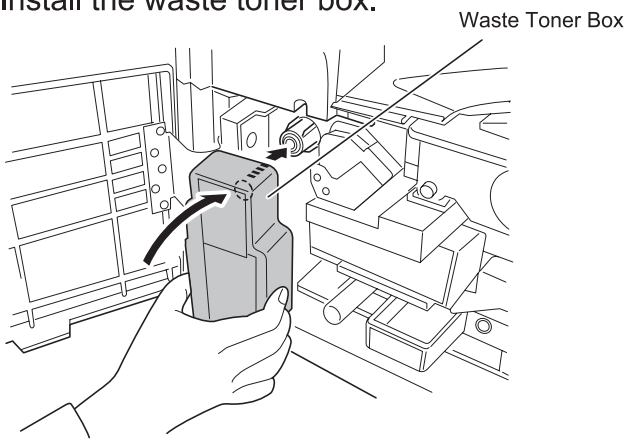
- 3** Thoroughly shake the toner container ten times or more.



- 4** Gently push the toner container into the machine along the rails.



- 5** Install the waste toner box.

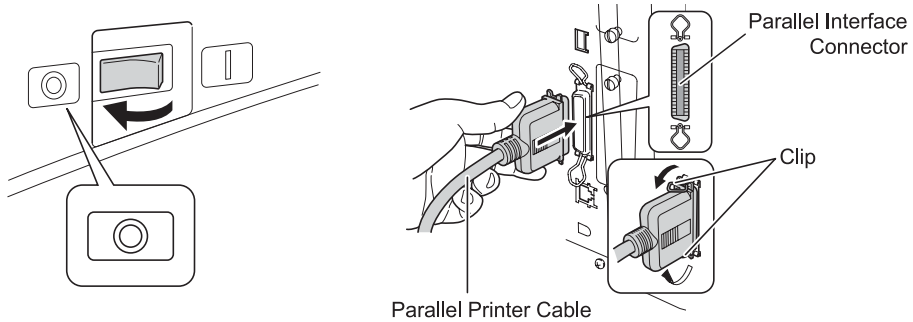


- 6** Close the front cover.



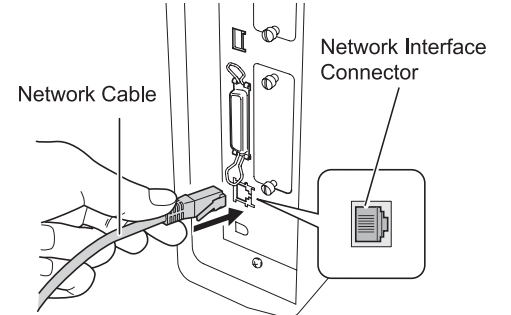
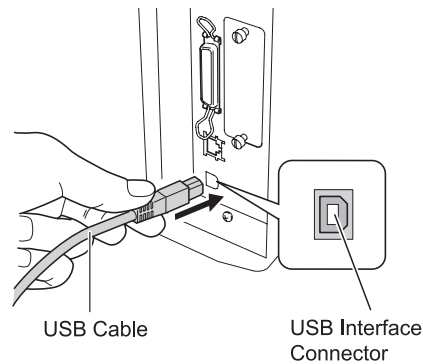
6. Connecting Cables and Turning on the Machine

- 1** Connect the printer to the computer.

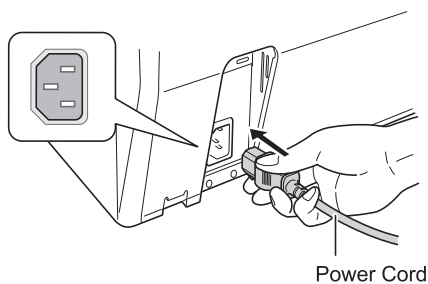


Note

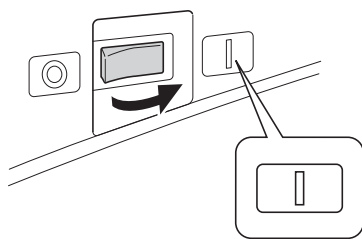
Use a parallel printer cable that complies with IEEE 1284 standards. For optimum performance, install the printer close to the PC. The connection cable should be shielded and no longer than 3 meters (10 feet) long. The cable is sold separately.



- 2** Connect the power cord and plug it into a wall socket.



- 3** Turn the power switch on.



Note

The printer will begin adding toner; this will take approximately 8 minutes.

7. Printing a Status Page

- 1** Press [MENU].
- 2** Press Δ or ∇ repeatedly until Print Status Page appears.
- 3** Press [OK]. A blinking question mark (?) appears.
- 4** Press [OK] again. The printer prints a status page.

Refer to the *Operation Guide* to install the printer driver and utilities.